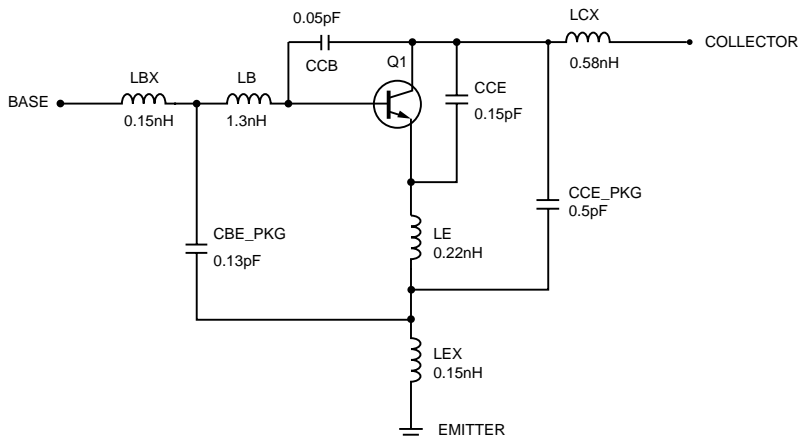


SCHEMATIC



BJT NONLINEAR MODEL PARAMETERS (1)

Parameters	Q1	Parameters	Q1
IS	7e-16	MJC	0.34
BF	119	XCJC	0.6
NF	1.06	CJS	0
VAF	20.5	VJS	0.75
IKF	0.18	MJS	0
ISE	1e-13	FC	0.5
NE	2	TF	4e-12
BR	6.5	XTF	5.2
NR	1.08	VTF	4.58
VAR	18	ITF	0.01
IKR	0.015	PTF	0
ISC	0	TR	1e-9
NC	2	EG	1.11
RE	1.23	XTB	0
RB	11	XTI	3
RBM	2.5	KF	0
IRB	0.009	AF	1
RC	5		
CJE	0.4e-12		
VJE	0.68		
MJE	0.5		
CJC	0.18e-12		
VJC	0.5		

(1) Gummel-Poon Model

UNITS

Parameter	Units
time	seconds
capacitance	farads
inductance	henries
resistance	ohms
voltage	volts
current	amps

ADDITIONAL PARAMETERS

Parameters	696M01
CCB	0.05e-12
CCE	0.15e-12
LB	1.3e-9
LE	0.22e-9
CCEPKG	0.5e-12
CBEPKG	0.13e-12
LBX	0.15e-9
LCX	0.58e-9
LEX	0.15e-9

MODEL RANGE

Frequency: 0.4 to 7.5 GHz
 Bias: $V_{CE} = 0.5 \text{ V to } 5 \text{ V}$, $I_c = 0.5 \text{ mA to } 10 \text{ mA}$
 Date: 2/6/97