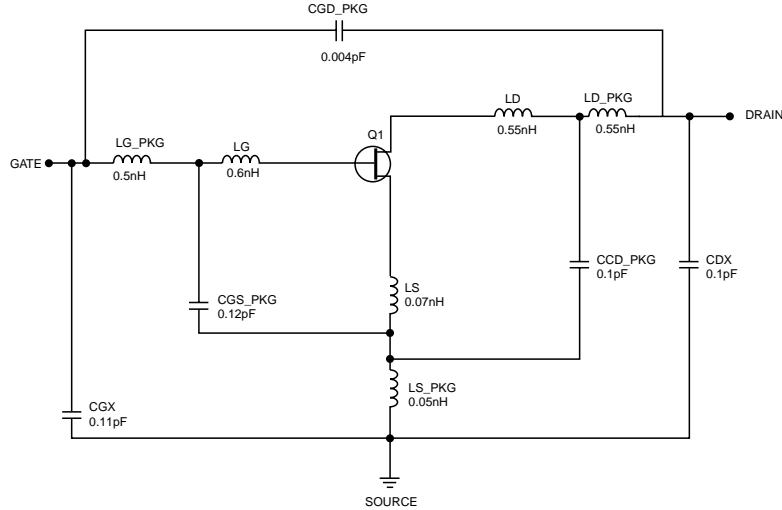


SCHEMATIC



FET NONLINEAR MODEL PARAMETERS (1)

Parameters	Q1	Parameters	Q1
VTO	-1.0539	RG	5
VTOSC	0	RD	2
ALPHA	5	RS	1.5
BETA	0.056	RGMET	0
GAMMA	0.105	KF	0
GAMMADC	0.07	AF	1
Q	1.5	TNOM	27
DELTA	0	XTI	3
VBI	0.8	EG	1.43
IS	1e-14	VTOTC	0
N	1	BETATCE	0
RIS	0	FFE	1
RID	0		
TAU	4e-12		
CDS	0.12e-12		
RDB	10000		
CBS	1e-10		
CGSO	0.38e-12		
CGDO	0.027e-12		
DELTA 1	0.3		
DELTA 2	0.2		
FC	0.5		
VBR	Infinity		

UNITS

Parameter	Units
time	seconds
capacitance	farads
inductance	henries
resistance	ohms
voltage	volts
current	amps

MODEL RANGE

Frequency: 0.5 to 15 GHz
 Bias: $V_{DS} = 1\text{ V to }3\text{ V}$, $I_D = 5\text{ mA to }30\text{ mA}$
 $I_{DSS} = 63\text{ mA @ }V_{GS} = 0\text{ V}, V_{DS} = 2\text{ V}$
 Date: 2/99

(1) Series IV Libra TOM Model

California Eastern Laboratories

EXCLUSIVE NORTH AMERICAN AGENT FOR **NEC** RF, MICROWAVE & OPTOELECTRONIC SEMICONDUCTORS

CEL CALIFORNIA EASTERN LABORATORIES • Headquarters • 4590 Patrick Henry Drive • Santa Clara, CA 95054-1817 • (408) 988-3500 • Telex 34-6393 • FAX (408) 988-0279

24-Hour Fax-On-Demand: 800-390-3232 (U.S. and Canada only) • Internet: <http://WWW.CEL.COM>

DATA SUBJECT TO CHANGE WITHOUT NOTICE

PRINTED IN USA ON RECYCLED PAPER -2/99