

SCHEMATIC

(see Page 2)

FET NONLINEAR MODEL PARAMETERS ⁽¹⁾

Parameters	Q1	Parameters	Q1
VTO	-0.75	RG	2.5
VTOSC	0	RD	2.5
ALPHA	7	RS	4.1
BETA	0.21	RGMET	0
GAMMA	0.09	KF	0
GAMMADC ⁽²⁾	0.08	AF	1
Q	2.1	TNOM	27
DELTA	1.2	XTI	3
VBI	1	EG	1.43
IS	1e-14	VTOTC	0
N	1	BETATCE	0
RIS	0	FFE	1
RID	0		
TAU	7e-12		
CDS	0.15e-12		
RDB	900		
CBS	1.1e-10		
CGSO ⁽³⁾	0.25e-12		
CGDO ⁽⁴⁾	0.04e-12		
DELTA1	0.3		
DELTA2	0		
FC	0.5		
VBR	Infinity		

(1) Series IV Libra TOM Model

The parameter in Libra corresponds to the parameter in PSpice:

- | | |
|-------------|-------|
| (2) GAMMADC | GAMMA |
| (3) CGSO | CGS |
| (4) CGDO | CGD |

UNITS

Parameter	Units
capacitance	picofarads
inductance	nanohenries
resistance	ohms

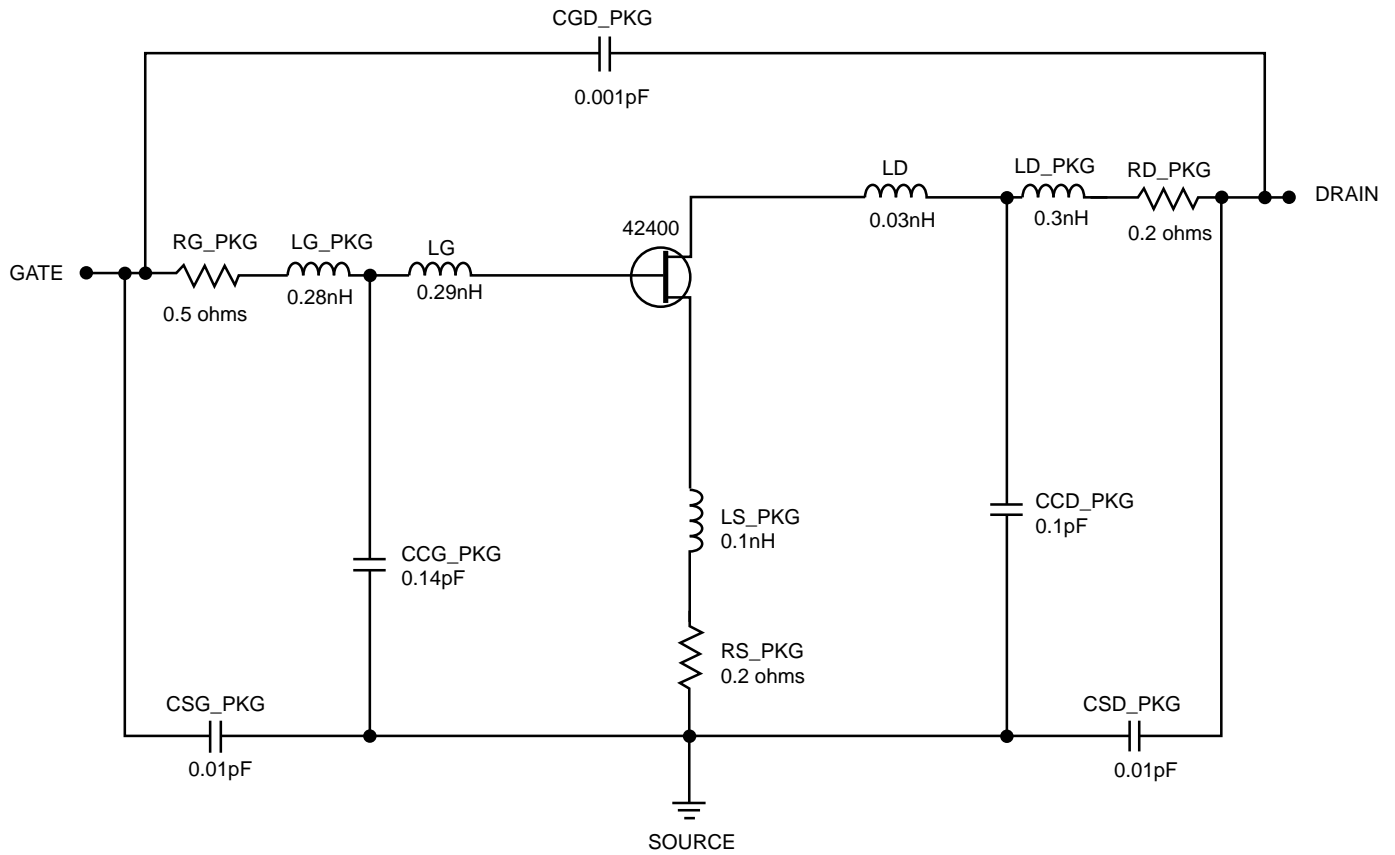
MODEL RANGE

Frequency: 0.1 to 16 GHz

Bias: $V_{DS} = 1\text{ V to }3.5\text{ V}$, $I_D = 10\text{ mA to }40\text{ mA}$

Date: 11/15/96

SCHEMATIC



MODEL RANGE

Frequency: 0.1 to 16 GHz
 Bias: $V_{DS} = 1\text{ V to }3.5\text{ V}$, $I_D = 10\text{ mA to }40\text{ mA}$
 Date: 11/15/96

EXCLUSIVE NORTH AMERICAN AGENT FOR **NEC** RF, MICROWAVE & OPTOELECTRONIC SEMICONDUCTORS

CEL CALIFORNIA EASTERN LABORATORIES • Headquarters • 4590 Patrick Henry Drive • Santa Clara, CA 95054-1817 • (408) 988-3500 • Telex 34-6393 • FAX (408) 988-0279
 24-Hour Fax-On-Demand: 800-390-3232 (U.S. and Canada only) • Internet: <http://WWW.CEL.COM>

DATA SUBJECT TO CHANGE WITHOUT NOTICE

PRINTED IN USA ON RECYCLED PAPER -2/97