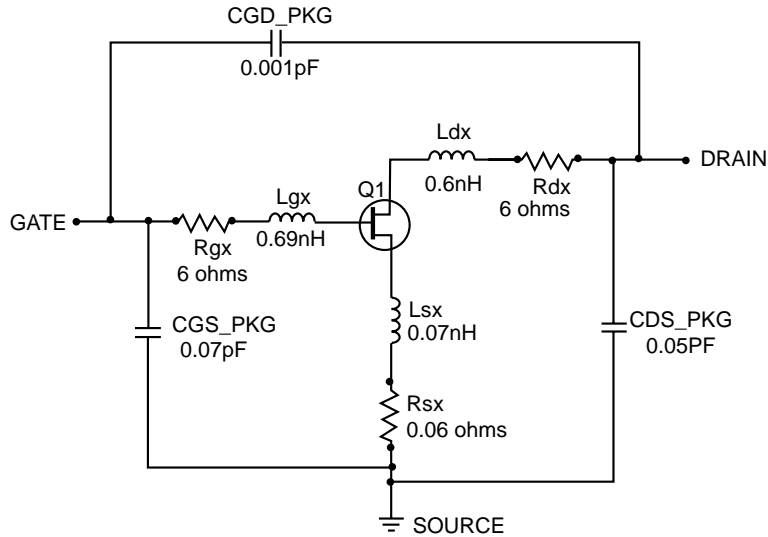


### SCHEMATIC



### FET NONLINEAR MODEL PARAMETERS <sup>(1)</sup>

Parameters	Q1	Parameters	Q1
VTO	-0.8	RG	3
VTOSC	0	RD	2
ALPHA	8	RS	2
BETA	0.103	RGMET	0
GAMMA	0.092	KF	0
GAMMADC	0.08	AF	1
Q	2	TNOM	27
DELTA	1	XTI	3
VBI	0.715	EG	1.43
IS	3e-13	VTOTC	0
N	1.22	BETATCE	0
RIS	0	FFE	1
RID	0		
TAU	4e-12		
CDS	0.13e-12		
RDB	5000		
CBS	1e-9		
CGSO	0.3e-12		
CGDO	0.02e-12		
DELTA1	0.3		
DELTA2	0.1		
FC	0.5		
VBR	Infinity		

### UNITS

Parameter	Units
time	seconds
capacitance	farads
inductance	henries
resistance	ohms
voltage	volts
current	amps

### MODEL RANGE

Frequency: 0.1 to 18 GHz  
 Bias:  $V_{DS} = 1\text{ V to }3\text{ V}$ ,  $I_D = 5\text{ mA to }30\text{ mA}$   
 $I_{DSS} = 59.9\text{ ma @ }V_{GS} = 0, V_{DS} = 2\text{ V}$   
 Date: 2/98

(1) Series IV Libra TOM Model