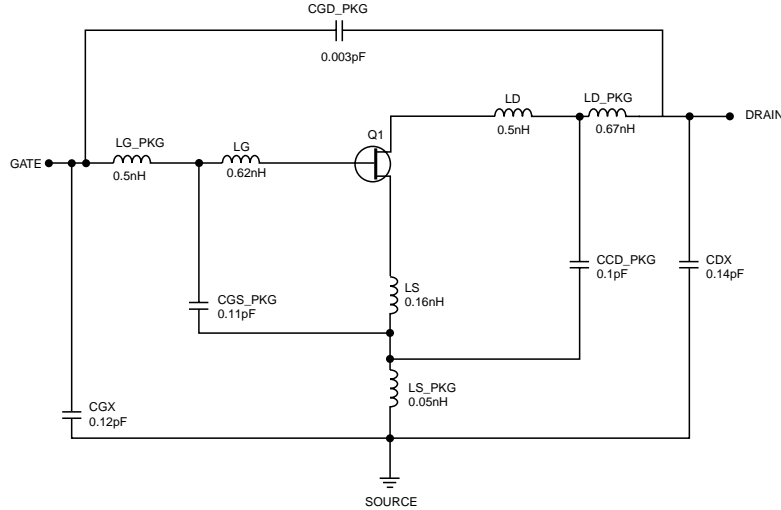


SCHEMATIC



FET NONLINEAR MODEL PARAMETERS (1)

Parameters	Q1	Parameters	Q1
VTO	-0.8515	RG	2.2
VTOSC	0	RD	2
ALPHA	3.2	RS	1
BETA	0.0715	RGMET	0
GAMMA	0.087	KF	0
GAMMADC	0.09	AF	1
Q	2	TNOM	27
DELTA	1.1	XTI	3
VBI	0.8	EG	1.43
IS	1e-14	VTOTC	0
N	1	BETATCE	0
RIS	0	FFE	1
RID	0		
TAU	4e-12		
CDS	0.07e-12		
RDB	5000		
CBS	1e-10		
CGSO	0.4e-12		
CGDO	0.04e-12		
DELTA 1	0.3		
DELTA 2	0.2		
FC	0.5		
VBR	Infinity		

UNITS

Parameter	Units
time	seconds
capacitance	farads
inductance	henries
resistance	ohms
voltage	volts
current	amps

MODEL RANGE

Frequency: 0.5 to 15 GHz
 Bias: $V_{DS} = 1\text{ V to }3\text{ V}$, $I_D = 10\text{ mA to }30\text{ mA}$
 $I_{DSS} = 58\text{ mA @ }V_{GS} = 0\text{ V}, V_{DS} = 2\text{ V}$
 Noise: $NF_{min} @ V_{DS} = 2\text{ V}, I_D = 10\text{ mA}$,
 4 to 12 GHz
 Date: 4/98

(1) Series IV Libra TOM Model