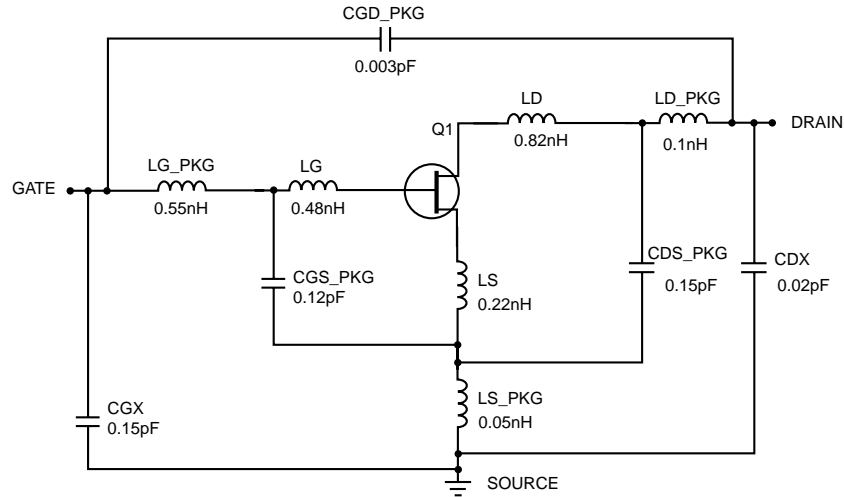


SCHEMATIC



FET NONLINEAR MODEL PARAMETERS (1)

| Parameters | Q1 | Parameters | Q1 |
|------------|-----------|------------|-------|
| VTO | -1.34 | RG | 10 |
| VTOSC | 0 | RD | 4 |
| ALPHA | 2.5 | RS | 4 |
| BETA | 0.04 | RGMET | 0 |
| GAMMA | 0.07 | KF | 2e-10 |
| GAMMADC | 0.03 | AF | 1.5 |
| Q | 2 | TNOM | 27 |
| DELTA | 0.3 | XTI | 3 |
| VBI | 1 | EG | 1.43 |
| IS | 1e-14 | VTOTC | 0 |
| N | 1.3 | BETATCE | 0 |
| RIS | 0 | FFE | 1 |
| RID | 0 | | |
| TAU | 4e-12 | | |
| CDS | 0.27e-12 | | |
| RDB | 5000 | | |
| CBS | 1e-10 | | |
| CGSO | 0.85e-12 | | |
| CGDO | 0.055e-12 | | |
| DELTA1 | 0.3 | | |
| DELTA2 | 0.3 | | |
| FC | 0.5 | | |
| VBR | Infinity | | |

UNITS

| Parameter | Units |
|-------------|---------|
| time | seconds |
| capacitance | farads |
| inductance | henries |
| resistance | ohms |
| voltage | volts |
| current | amps |

MODEL RANGE

Frequency: 0.5 to 18 GHz
 Bias: $V_{DS} = 2\text{ V to }4\text{ V}$, $I_D = 10\text{ mA to }40\text{ mA}$
 $I_{DSS} = 55\text{ mA @ }V_{GS} = 0, V_{DS} = 3\text{ V}$
 Power: $V_{DS} = 3\text{ V}$, $I_D = 30\text{ mA}$, 4 GHz
 Date: 4/98

(1) Series IV Libra TOM Model